

B



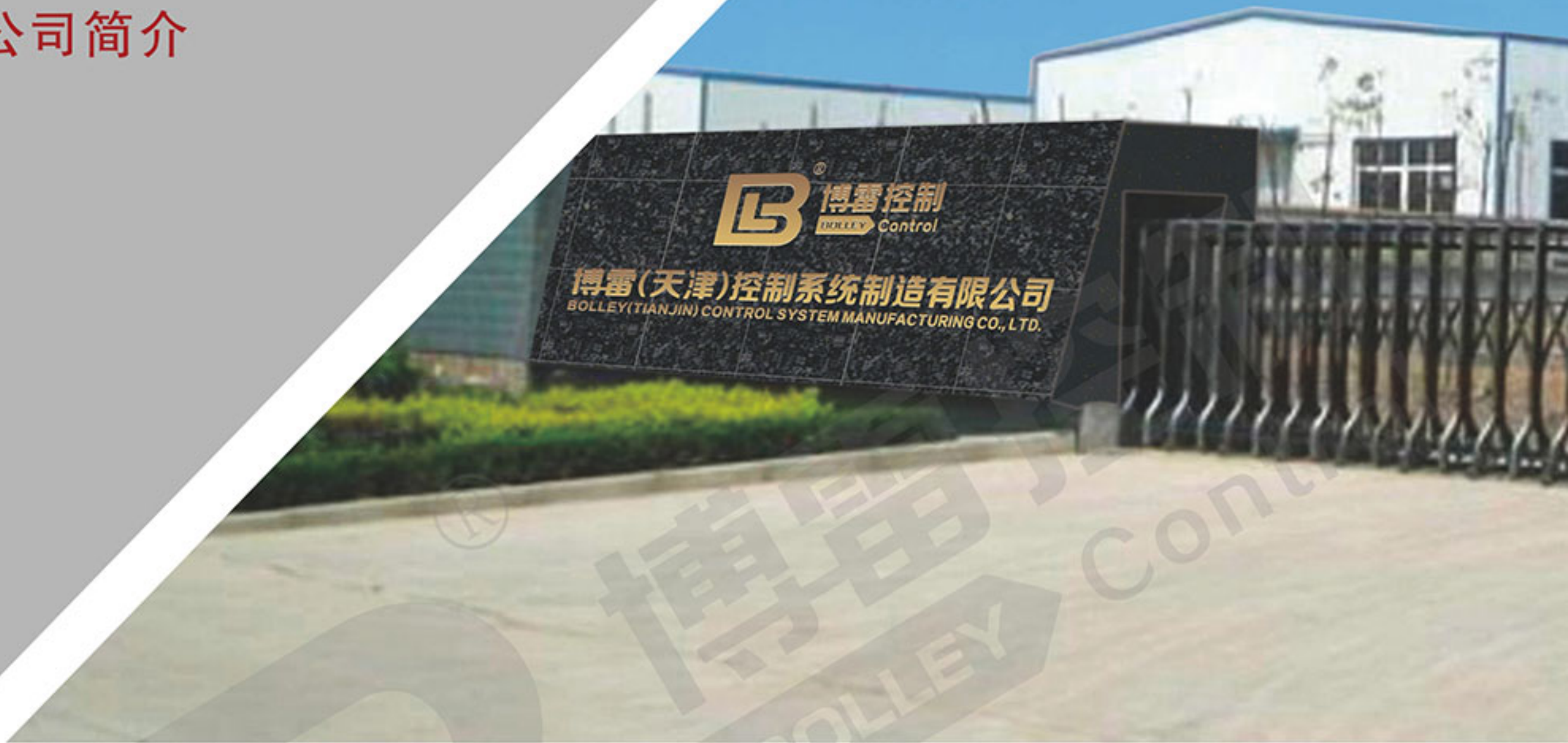
博雷(天津)控制系统制造有限公司
BOLLEY(TIANJIN) CONTROL SYSTEM MANUFACTURING CO., LTD.

AT SERIES PNEUMATIC
ACTUATORS

AT 系列气动执行器

COMPANY PROFILE

公司简介



博雷（天津）控制系统制造有限公司是一家集工程、阀门生产于一体的企业，引进美国先进阀门制造技术，为客户提供专业的过程自动化及控制设备等解决方案。一直以来稳步发展，经过多年的积累，博雷控制已经迈入了国际化公司的行列。

公司主导产品有闸阀、截止阀、蝶阀、球阀、止回阀、调节阀、减压阀、隔膜阀、旋塞阀、柱塞阀、疏水阀、电站阀、美标阀、水力控制阀等80多种品种、300多个系列、几千种规格。产品采用GB、JB、HG、API、ANSI、DIN、JIS、BS等国内外先进标准设计制造。通径从1/4"至96"（DN6-2400mm）、压力从150LB至2500LB（2MPa-42MPa）、工作温度为-196℃至800℃。主要材料有灰铸铁、球墨铸铁、铜、碳素钢、不锈钢、合金钢、低温钢、铬钼钢、沉淀硬化钢及其他特殊钢材。

我们以卓越的品质和服务取得了全球数以万计的用户的信赖及支持，所涉及的行业包括化工、石化、电力、环境、生物科技、燃气、染料、制药、供热、造纸、建筑食品、有色金属、钢铁以及其他工业领域。

我们重视客户提出的每一个要求，并按照客户提出的要求量身定做，力求为客户提供最好的解决方案，同时也能优化产品性能，客户感到满意与他们保持紧密的合作关系。我们坚持这样做并取得了成功，这是我们发展的动力。自从博雷控制诞生的那一刻起，我们力求每一个环节都做到精益求精，所以我们的质保系统渗透到每一个工序，确保每个员工用到的是最好的零配件，这是我们发展的根本。

为了确保产品质量和满足顾客的要求，我们坚持不断深化内部管理，努力提升全员质量意识，扩大全球营销团队，为国内外客户提供更方便快捷的服务。

**我们力求每一个环节都做到精益求精，
争做控制系统行业之美好明天的领航者！**



Bolley (Tianjin) Control System Manufacturing Co., Ltd. is a collection of engineering control system, valve production in a body's enterprise, introducing the advanced valve manufacturing technology, providing customers with professional solutions for process automation and control equipment, etc. Has been a steady development, after many years of accumulation, Bolley Control has entered the international company.

Company main products are gate valve, globe valve, butterfly valve, ball valve, check valve, regulating valve, relief valve, diaphragm valve, plug valve, plunger valve, steam trap, power station valve, american standard valve, hydraulic control valves, and more than 80 varieties, more than 300 series, thousands of specifications. Product by GB, JB, HG, API, ANSI, DIN, JIS, BS, and domestic and foreign advanced standards. Size from 1/4 "to 96" (DN6-2400mm), pressure from 150LB to 2500LB (2MPa - 42MPa), the working temperature to -196°C to 800°C. The main materials are gray cast iron, nodular cast iron, copper, carbon steel, stainless steel, alloy steel, low temperature steel, chrome molybdenum steel, precipitation hardened steel and other special steel.

With our excellent quality and service has made the world tens of thousands of users trust and support, involved in industries including chemical, petrochemical, electric power, environmental, biological technology, gas, dyestuff, pharmaceutical, heating, papermaking, food, non-ferrous metals, steel and other industrial fields.

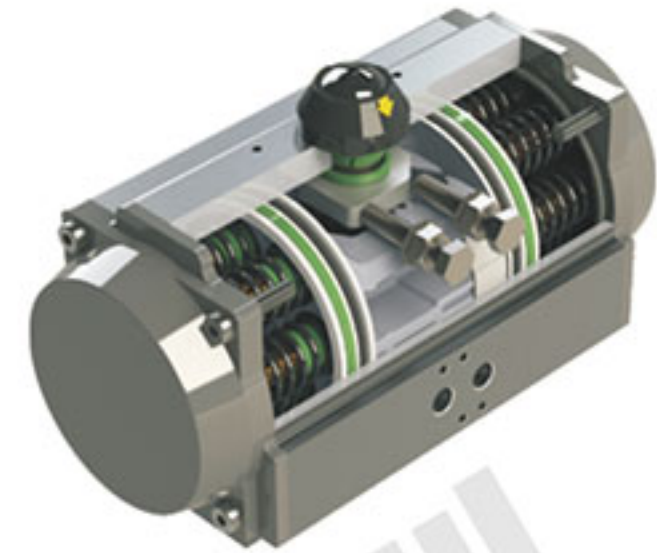
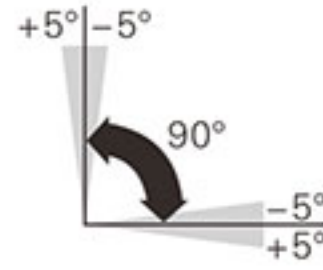
We attach importance to the customer request of each, and customized according to customer demand, makes every effort to provide customers with the best solution, but also can optimize product performance, customer satisfaction and their close relations of cooperation. We insist on doing this and has been a success, this is our development power. Since the birth of Bolley control that moment, we strive to do every link strives for perfection, so our quality assurance system to infiltrate every working procedure, to ensure that each employee use is one of the best parts, it is fundamental to our development.

In order to ensure product quality and meet the requirements of customers, we continuously deepen the internal management, efforts to enhance the quality consciousness, expand the global marketing team, to provide more convenient service to customers from home and abroad.

**We Strive To Achieve Excellence In Every Aspect,
To Control System Of Industry Leader A Better Tomorrow!**

◆ **Operating Conditions:**

1. Operating media
 Dry or lubricated air, or the non-corrosive gases
 The maximum particle diameter must less than 30 um
2. Air supply pressure
 The minimum supply pressure is 2 Bar
 The maximum supply pressure is 8 Bar
3. Operating temperature
 Standard: -20°C~+80°C(-4°F~+176°F) NBR O-ring
 Low temperature: -40°C~+80°C(-40°F~+176°F) Silicone O-ring
 High temperature: -20°C~+160°C(-4°F~+320°F) Viton O-ring
4. Travel adjustment
 Have adjustment range of $\pm 5^\circ$ for the rotation at 0° and 90°
5. Application
 Either indoor or outdoor



◆ **Operating Type:**

Double acting and spring return



Air supply connection is designed in accordance with NAMUR standard to install solenoid valves.



The Namur drive pinion and the Namur top mounting connection permit direct installation of accessories such as limit switch box and positioner.



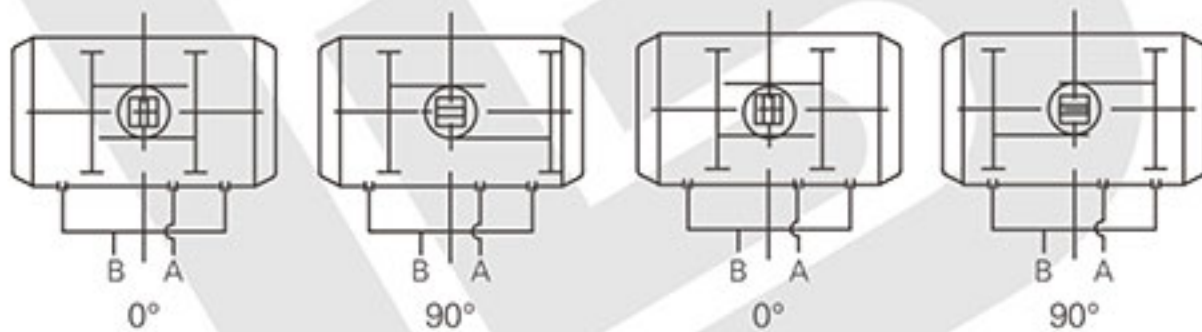
Bottom mounting connection is designed in accordance with ISO5211 and DIN3337 standards for direct mounting with valve gear boxes or mounting brackets.

◆ **Working Principle:**

Double Acting

Counter Clockwise Rotation

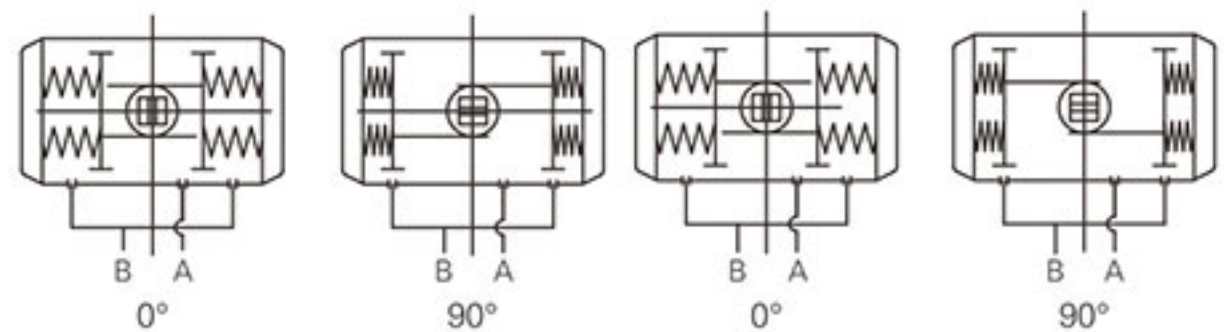
Clockwise Rotation



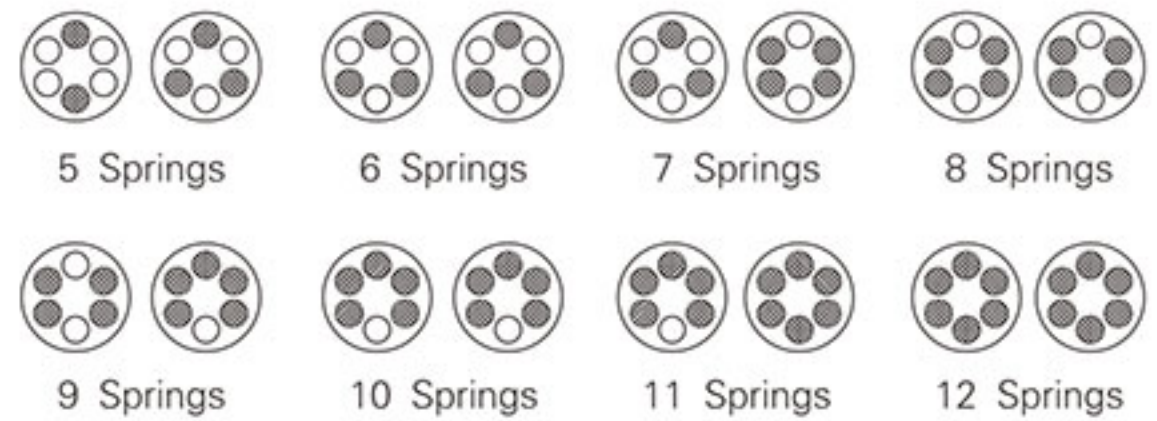
Spring Return

Counter Clockwise Rotation

Clockwise Rotation



Spring Positions of Spring Return Actuators

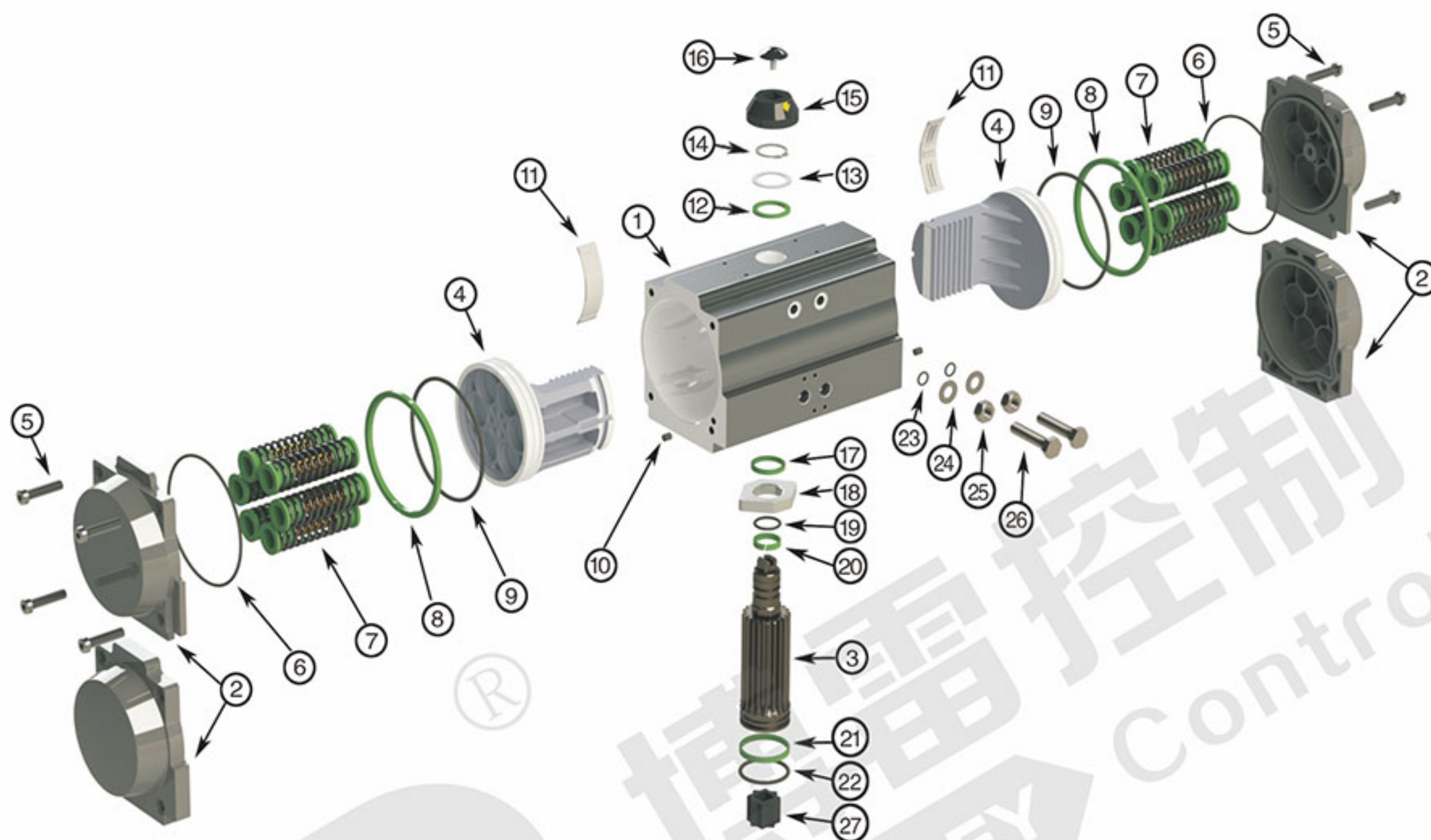


Old Type



New Type

AT SERIES PNEUMATIC ACTUATORS

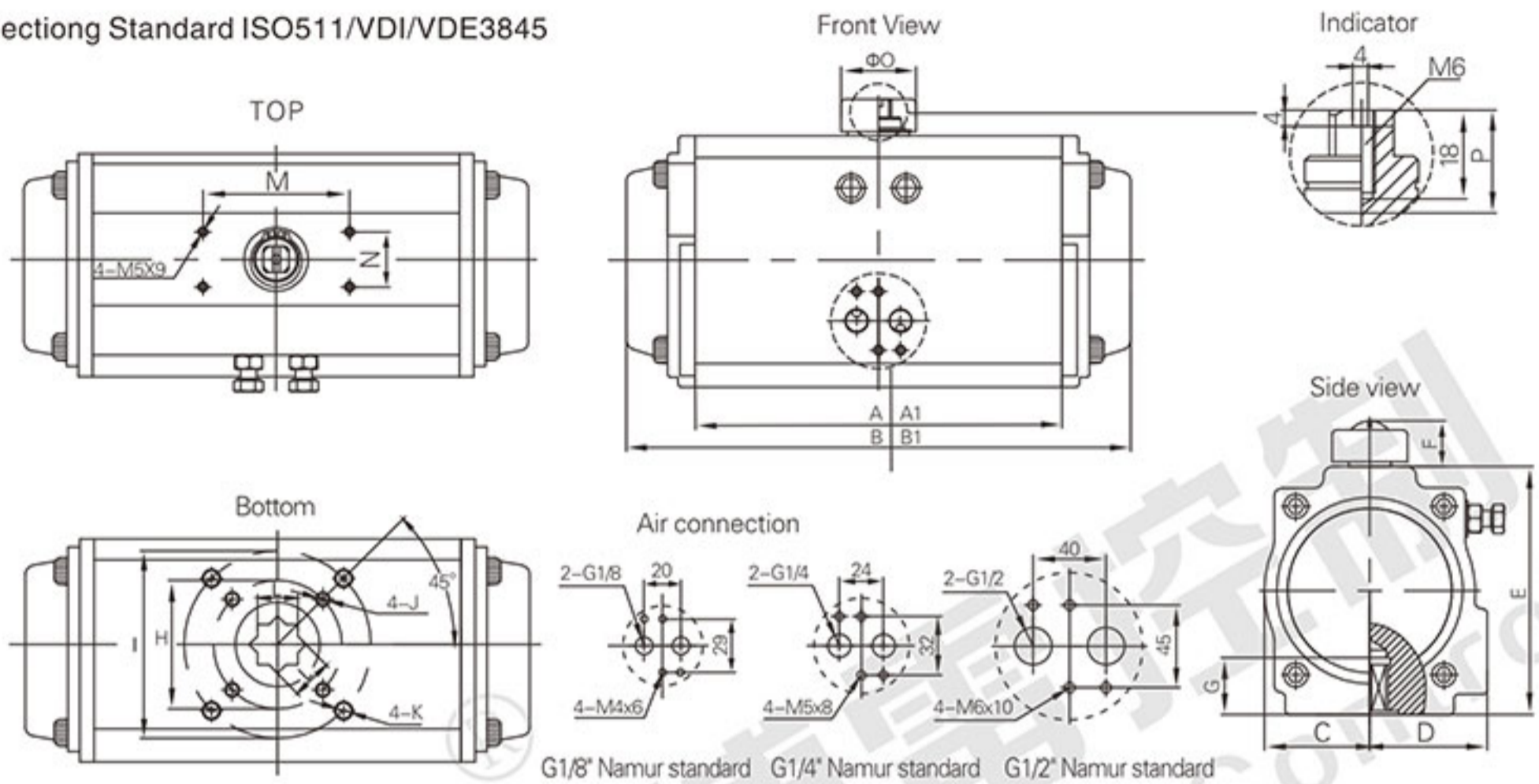


◆ Part list

No.	Description	Qty	Standard Material	Protection	Optional Material
1	Body	1	Extruded Aluminum Alloy	Hard Anodized Etc	
2	End Cap	2	Cast Aluminum		
3	Shaft	1	Carbon Steel	Nickel Plated	Stainless Steel
4	Piston	2	Cast Aluminum / Steel	Anodized/ Zinc Galvanized	Stainless Steel
5	Cap Screw	8	Stainless Steel		
6	O-ring(End Top)	2	NBR		Viton / Silicone
7	Spring	0~12	Spring Steel	Dip Coating	
8	Bearing	2	Engineering Plastics		
9	O-ring(Piston)	2	NBR		Viton / Silicone
10	Plug(Old Type)	2	NBR		Viton / Silicone
11	Guide	2	Engineering Plastics		
12	Outside Washer	1	Engineering Plastics		
13	Thrust Washer	1	Stainless Teel		
14	Spring Clip	1	Stainless Teel		
15	Indicator	1	Plastic		
16	Indicator Screw	1	Plastic		
17	Inside Washer	1	Engineering Plastics		
18	Cam	1	Alloy Steel		
19	O-ring(Shaft)	1	NBR		Viton / Silicone
20	Bearing(Top of Shaft)	1	Engineering Plastics		
21	Bearing(Bottom of Shaft)	1	Engineering Plastics		
22	O-ring(Bottom of Shaft)	1	NBR		Viton / Silicone
23	O-ring(Adjustment Screw)	2	NBR		Viton / Silicone
24	Washer	2	Stainless Steel		
25	Nut	2	Stainless Steel	Powder Polyester Painted etc	
26	Adjustment Screw	2	Stainless Steel		
27	Shaft Adapter	1	Sintered Alloy		

◆ Appearance & Connection Dimension

Connecting Standard ISO511/VDI/VDE3845



Model	A	A1	B	B1	C	D	E	F	G	H	I	J	K	L	M	N	Φ0	P	Air Supply	Weight	
BAT32 DA	90	90	112	112	23.5	23.5	45	26	12	F03	/	4-M5x8	/	9x9	50	30	34	20	G1/8"	0.55	
BAT32 SR																				/	
BAT40 DA	93	93	123	123	23.5	33	60	26	12	F03	F05	4-M5x8	4-M6x10	11x11	50	30	34	20	G1/8"	0.66	
BAT40 SR																					0.74
BAT52 DA	120	108	145	145	30	41	72	26	15	F03	F05	4-M5x8	4-M6x10	11x11	80	30	34	20	G1/4"	1.2	
BAT52 SR																					1.3
BAT63 DA	140	125	169	169	46	46	89	26	15	F05	F07	4-M6x10	4-M8x12	14x14	80	30	34	20	G1/4"	1.9	
BAT63 SR																					2.1
BAT75 DA	140	128	201	201	42	52	100	26	15	F05	F07	4-M6x10	4-M8x12	14x14	80	30	34	20	G1/4"	2.8	
BAT75 SR																					3.1
BAT83 DA	160	147	209	209	46	55	109	26	15	F05	F07	4-M6x10	4-M8x12	14x14 17x17	80	30	34	20	G1/4"	3.2	
BAT83 SR																					3.7
BAT92 DA	193	168	242	242	51	57.5	117	26	20	F05	F07	4-M6x10	4-M8x12	17x17	80	30	41	20	G1/4"	4.6	
BAT92 SR																					5.2
BAT105 DA	200	186	275	275	58	64	134	26	25	F07	F10	4-M8x12	4-M10x16	22x22	80	30	41	20	G1/4"	6.1	
BAT105 SR																					7.1
BAT125 DA	230	207	332	332	67.5	70	157	36	25	F07	F10	4-M8x12	4-M10x16	22x22	80	30	62	30	G1/4"	9.5	
BAT125 SR																					10.9
BAT140 DA	290	268	385	400	76	77	174	36	30	F10	F12	4-M10x16	4-M12x20	27x27	130	30	62	30	G1/4"	13.7	
BAT140 SR																					15.7
BAT160 DA	340	308	450	455	87.5	87.5	199	38	30	F10	F12	4-M10x16	4-M12x20	27x27	130	30	62	30	G1/4"	20.5	
BAT160 SR																					23.6
BAT190 DA	390	390	507	507	103	103	232	38	40	/	F12	/	4-M12x20	36x36	130	30	79	30	G1/4"	31.1	
BAT190 SR																					35.3
BAT210 DA	390	390	562	562	113	113	257	38	40	/	F12	/	4-M12x20	36x36	130	30	79	30	G1/4"	41.8	
BAT210 SR																					46.6
BAT240 DA	430	430	646	646	129	129	293	38	52	/	F16	/	4-M20x24	46x46	130	30	79	30	G1/4"	62.4	
BAT240 SR																					72.4
BAT270 DA	510	510	722	722	146	146	333	38	52	/	F16	/	4-M20x24	46x46	130	30	79	30	G1/4"	86.3	
BAT270 SR																					98.3
BAT300 DA	579	579	825	825	162	173	354	38	52	/	F16	/	4-M20x24	46x46	130	30	79	30	G1/2"	103	
BAT300 SR																					143
BAT350 DA	580	580	866	866	190	195	410	38	52	/	F16	/	4-M20x24	46x46	130	30	79	30	G1/2"	144	
BAT350 SR																					188
BAT400 DA	-	-	924	924	258	258	464	38	60	/	F25	/	8-M16x24	55x55	130	30	79	30	G1/2"	289	
BAT400 SR																					360

Note: The weights of SR model are included 12 springs.
 A and B items for old type, A1 and B1 items for new type.

AT SERIES

PNEUMATIC ACTUATORS



03/04

◆ Double Acting Output Torque In Nm

Model	Input Air Supply Pressure (Unit: Bar)						
	2	3	4	5	6	7	8
BAT32DA	3	5	6	8	9	11	12
BAT40DA	4.8	7.1	9.6	11.9	14.3	16.7	19.1
BAT52DA	8.1	12.1	16.2	20.1	24.2	28.2	32.3
BAT63DA	14.3	21.4	28.5	35.6	42.7	49.8	56.7
BAT75DA	20	30.2	40.3	50.4	60.4	70.5	80.6
BAT83DA	30.9	46.3	61.8	77.1	92.5	108	123.5
BAT92DA	44.2	66.3	88.4	110.5	133	154.8	176.7
BAT105DA	65.8	98.8	131.6	164.5	197.4	230.4	263.2
BAT125DA	102.6	153.9	205.2	256.5	307.8	359.1	410.4
BAT140DA	175.5	263.2	351	438.7	526.3	614.2	702.1
BAT160DA	267.4	401	534.9	668.8	801.8	935.8	1069.7
BAT190DA	450.4	646	861.7	1078.3	1293	1507.7	1723.3
BAT210DA	526.3	789.5	1052.6	1314.8	1578.9	1842.1	2105.2
BAT240DA	773.3	1160	1546.6	1933.3	2319.9	2706.6	3093.2
BAT270DA	1174.2	1761.3	2348.4	2935.5	3522.6	4109.7	4696.8
BAT300DA	1610.8	2416.2	3221.6	4027.1	4832.5	5637.9	6443.3
BAT350DA	2411.8	3617.6	4823.5	6029.4	7235.3	8441.1	9647.1
BAT400DA	3256	4884	6512	8140	9768	11396	13024

◆ Single Acting Output Torque In Nm

Model	Spring Qty	Air Supply Pressure												Output Torque Spring	
		3Bar		4Bar		5Bar		6Bar		7Bar		8Bar		0°	90°
		0°	90°	0°	90°	0°	90°	0°	90°	0°	90°	0°	90°		
Start	End	Start	End	Start	End	Start	End	Start	End	Start	End	Start	End		
BAT52SR	5	8.8	7.3	13.0	11.6									5.4	4.0
	6	8.0	6.3	12.2	10.5	16.5	14.8							6.5	4.7
	7	8.2	5.2	11.5	9.4	15.7	13.7	20.0	17.9					7.6	5.5
	8	6.4	4.1	10.7	8.3	14.9	12.6	19.2	16.8	23.4	21.1			8.6	6.3
	9			9.9	7.3	14.1	11.5	18.4	15.8	22.6	20.0	26.9	24.3	9.7	7.1
	10			9.1	6.2	13.3	10.4	17.6	14.7	21.8	18.9	26.1	23.2	10.8	7.9
	11					12.5	9.4	16.8	13.6	21.0	17.9	25.3	22.1	11.9	8.7
BAT63SR	12					11.8	8.3	16.0	12.5	20.3	16.8	24.5	21.0	13.0	9.5
	5	15.7	12.5	23.1	20.0									9.9	6.8
	6	14.3	10.5	21.8	18.0	29.3	25.5							11.9	8.1
	7	13.0	8.5	20.4	16.0	27.9	23.5	35.4	31.0					13.9	9.5
	8	11.6	6.5	19.1	14.0	26.6	21.5	34.0	29.0	41.5	36.5			15.9	10.8
	9			17.7	12.0	25.2	19.5	32.7	27.0	40.2	34.5	47.6	42.0	17.9	12.2
	10			16.4	10.0	23.8	17.5	31.3	25.0	38.8	32.5	46.3	40.0	19.9	13.6
BAT75SR	11					22.5	15.5	30.0	23.0	37.5	30.5	44.9	38.0	21.9	14.9
	12					21.1	13.5	28.6	21.0	36.1	28.5	43.6	36.0	23.9	16.3
	5	27.0	21.6	39.3	34.0									15.5	10.2
	6	24.9	18.5	37.3	30.9	49.7	43.3							18.6	12.2
	7	22.9	15.5	35.3	27.8	47.6	40.2	60.0	52.6					21.7	14.2
	8	20.9	12.4	33.2	24.7	45.6	37.1	58.0	49.5	70.4	61.8			24.8	16.2
	9			31.2	21.6	43.6	34.0	56.0	46.4	68.3	58.7	80.7	71.1	27.8	18.3
BAT83SR	10			29.2	18.5	41.6	30.9	53.9	43.3	66.3	55.7	78.7	68.0	30.9	20.3
	11					39.5	27.8	51.9	40.2	64.3	52.6	76.6	64.9	34.0	22.3
	12					37.5	24.7	49.9	37.1	62.2	49.5	74.6	61.8	37.1	24.4
	5	33.8	27.2	50.1	43.4									21.5	14.9
	6	30.9	22.9	47.1	39.1	63.3	55.3							25.8	17.8
	7	27.9	18.6	44.1	34.8	60.4	51.0	76.6	67.3					30.1	20.8
	8	24.9	14.3	41.2	30.5	57.4	46.7	73.6	63.0	89.9	79.2			34.4	23.8
BAT92SR	9			38.2	26.2	54.4	42.4	70.7	58.7	86.9	74.9	103.1	91.1	38.7	26.7
	10			35.2	21.9	51.5	38.1	67.7	54.4	83.9	70.6	100.2	86.8	43.0	29.7
	11					48.5	33.8	64.7	50.1	81.0	66.3	97.2	82.5	47.3	32.7
	12					45.5	29.5	61.8	45.8	78.0	62.0	94.2	78.2	51.6	35.6
	5	48.0	39.5	71.3	62.8									30.3	21.8
	6	43.7	33.5	66.9	56.7	90.2	80.0							36.3	26.1
	7	39.3	27.4	62.6	50.7	85.8	73.9	109.1	97.2					42.4	30.5
BAT92SR	8	34.9	21.4	58.2	44.6	81.5	67.9	104.7	91.2	128.0	114.4			48.4	34.9
	9			53.8	38.6	77.1	61.8	100.4	85.1	123.6	108.4	146.9	131.6	54.5	39.2
	10			49.5	32.5	72.8	55.8	96.0	79.0	119.3	102.3	142.6	125.6	60.6	43.6
	11					68.4	49.7	91.7	73.0	114.9	96.3	138.2	119.5	66.6	47.9
	12					64.0	43.7	87.3	66.9	110.6	90.2	133.8	113.5	72.7	52.3

◆ Single Acting Output Torque In Nm Continued

Model	Spring Qty	Air Supply Pressure												Output Torque Spring			
		3Bar		4Bar		5Bar		6Bar		7Bar		8Bar		0°	90°		
		0° Start	90° End	0° Start	90° End	0° Start	90° End	0° Start	90° End	0° Start	90° End	0° Start	90° End				
BAT105SR	5	64.6	57.7	99.2	92.4										46.2	39.3	
	6	56.7	48.5	91.4	83.1	126.0	117.8								55.4	47.2	
	7	48.9	39.3	83.5	73.9	118.2	108.5	152.8	143.2						64.6	55.0	
	8	41.0	30.0	75.7	64.7	110.3	99.3	144.9	133.9	179.6	168.6				73.9	62.9	
	9			67.8	55.4	102.4	90.1	137.1	124.7	171.7	159.3	206.3	194.0		83.1	70.7	
	10			59.9	46.2	94.6	80.8	129.2	115.5	163.9	150.1	198.5	184.7		92.3	78.6	
	11					86.7	71.6	121.4	106.2	156.0	140.9	190.6	175.5		101.6	86.5	
	12					78.9	62.4	113.5	97.0	148.1	131.6	182.8	166.3		110.8	94.3	
	BAT125SR	5	131	104	192	166										80	53
		6	120	88	182	150	243	211								96	64
		7	110	72	171	134	232	195	294	257						112	74
		8	99	56	161	118	222	179	283	241	345	302				128	85
9				150	102	211	163	273	225	334	286	395	347		144	96	
10				139	86	201	147	262	209	323	270	385	331		160	106	
11						190	131	251	193	313	254	374	315		175	117	
12						179	115	241	177	302	238	363	299		191	127	
BAT140SR		5	188	144	280	236										133	89
		6	170	117	263	209	355	302								160	107
		7	152	90	245	183	337	275	430	368						187	125
		8	135	64	227	156	319	249	412	341	504	433				213	142
	9			209	129	302	222	394	314	486	407	579	499		240	160	
	10			191	103	284	195	376	288	469	380	561	472		267	178	
	11					266	169	358	261	451	353	543	446		293	196	
	12					248	142	341	234	433	327	525	419		320	214	
	BAT160SR	5	286	222	427	362										201	136
		6	259	182	400	322	541	463								241	163
		7	232	141	373	282	513	423	654	564						281	190
		8	205	101	345	242	486	383	627	524	768	664				321	218
9				318	202	459	343	600	483	741	624	881	765		361	245	
10				291	162	432	303	573	443	713	584	854	725		401	272	
11						405	263	545	403	686	544	827	685		441	299	
12						377	222	518	363	659	504	800	645		481	326	
BAT190SR		5	448	332	675	559										349	232
		6	402	262	629	489	856	716								418	278
		7	356	192	582	419	809	646	1036	873						488	325
		8	309	123	536	350	763	576	990	803	1217	1030				558	371
	9			490	280	717	507	943	733	1170	960	1397	1187		627	418	
	10			443	210	670	437	897	664	1124	891	1351	1117		697	464	
	11					624	367	851	594	1077	821	1304	1048		767	510	
	12					577	297	804	524	1031	751	1258	978		837	557	
	BAT210SR	5	638	468	950	780										467	297
		6	579	375	890	687	1202	998								560	356
		7	519	282	831	593	1143	905	1455	1217						654	416
		8	460	188	772	500	1083	812	1395	1123	1707	1435				747	475
9				712	407	1024	718	1336	1030	1647	1342	1959	1653		840	535	
10				653	313	965	625	1276	937	1588	1248	1900	1560		934	594	
11						905	531	1217	843	1529	1155	1840	1467		1027	653	
12						846	438	1158	750	1469	1062	1781	1373		1121	713	
BAT240SR		5	963	666	1452	1155										799	503
		6	862	506	1351	995	1840	1484								959	603
		7	762	346	1250	835	1739	1324	2228	1812						1119	704
		8	661	187	1150	675	1639	1164	2127	1652	2616	2141				1279	804
	9			1049	515	1538	1004	2027	1492	2515	1981	3004	2470		1439	905	
	10			949	355	1437	844	1926	1333	2415	1821	2903	2310		1599	1005	
	11					1337	684	1825	1173	2315	1661	2803	2150		1759	1106	
	12					1236	524	1725	1013	2213	1501	2702	1990		1919	1207	
	BAT270SR	5	1431	1028	2118	1715										1033	630
		6	1305	821	1992	1508	2679	2195								1240	765
		7	1179	615	1866	1302	2553	1989	3240	2676						1446	882
		8	1053	408	1740	1095	2427	1782	3114	2469	3801	3156				1653	1008
9				1614	889	2301	1576	2988	2263	3675	2950	4363	3637		1860	1134	
10				1488	682	2175	1369	2862	2056	3549	2743	4237	3430		2066	1260	
11						2049	1162	2736	1849	3423	2536	4111	3223		2273	1386	
12						1923	956	2610	1643	3297	2330	3985	3017		2480	1512	
BAT300SR		5														1061	730
		6	1316	875												1273	876
		7	1153	639	1916	1402										1485	1022
		8	991	403	1754	1166	2517	1929								1697	1168
	9			1592	930	2355	1693	3118	2456						1909	1314	
	10			1430	695	2193	1458	2956	2221	3719	2984	4482	3747		2122	1460	
	11					2030	1222	2793	1985	3556	2748	4319	3511		2334	1606	
	12					1868	986	2631	1749	3394	2512	4157	3275		2546	1752	
	BAT350SR	5														1702	1173
		6	1863	1157												2043	1408
		7	1602	779	2745	1922										2383	1642
		8	1341	401	2484	1544	3626	2686								2724	1877
9				2224	1165	3336	2307	4508	3449						3064	2112	
10				1963	787	3105	1929	4247	3071	5390	4214	6532	5356		3405	2346	
11						2844	1551	3986	2693	5129	3836	6271	4978		3745	2581	
12						2584	1172	3726	2314	4869	3457	6011	4599		4086	2816	
BAT400SR		8	2550	1225												3292	2100
		9	2259	768	3887	2396										3703	2362
		10	1967	311	3595	1939	5223	3567								4115	2624
		11			3303	1482	4931	3110	6559	4738						4526	2887
	12			3012	1025	4640	2653	6268	4281	7895	5908	9523	7536		4938	3149	
	13					4348	2195	5976	3823	7603	5450	9231	7078		5349	3412	
	14					4057	1738	5685	3366	7312	4993	8940	6621		5761	3674	
	15					3765	1281	5393	2909	7020	4536	8648	6164		6172	3937	

AT SERIES PNEUMATIC ACTUATORS

◆ Air Consumption

Model		AT032	AT040	AT052	AT063	AT075	AT083	AT092	AT105	AT125	AT140	AT160	AT190	AT210	AT240	AT270	AT300	AT350	AT400
Cylinder Air Volume (L)	Open	0.04	0.08	0.1	0.2	0.3	0.5	0.7	1.2	1.5	2.4	3.1	4.3	5.8	10.0	14.5	23.8	35.1	52.6
	Close	0.05	0.11	0.2	0.3	0.5	0.8	1.1	1.8	2.3	3.8	4.9	6.9	9.5	15.2	21.4	29.7	46.3	36
Opening & Closing Time (Second)(A)	DA Open	0.1	0.1	0.2	0.3	0.3	0.4	0.5	0.7	0.9	1.2	1.5	2.0	2.7	3.5	4.0	8.0	10.0	10.0
	SR Close	0.1	0.1	0.2	0.3	0.4	0.5	0.6	0.8	1.1	1.4	1.7	2.2	3.2	4.0	4.5	10.0	12.0	13.0
	DA Open	0.1	0.1	0.3	0.3	0.4	0.5	0.7	0.9	1.2	1.5	1.8	2.4	3.5	4.1	4.5	7.0	8.0	8.0
	SR Close	0.2	0.2	0.3	0.4	0.5	0.6	0.9	1.1	1.4	1.8	2.1	2.8	4.0	4.6	5.0	8.0	9.0	9.0

◆ Mounting Configurations: Valve Interface & Actuator



Size	ISO5211	Options		
32	F03(9x9)	/		
40	F03/F05(11x11)	11x9	11x7	
52	F05/F07(11x11)	11x9	11x7	
63	F05/F07(14x14)	14x11	14x9	
75	F05/F07(14x14)	14x11	14x9	
83	F05/F07(14x14/17x17)	14x11	14x9 / 17x14	17x11
92	F05/F07(17x17)	17x14	17x11	
105	F07/F10(22x22)	22x19	22x17	22x14
125	F07/F10(22x22)	22x19	22x17	22x14
140	F10/F12(27x27)	27x22	27x19	22x17
160	F10/F12(27x27)	27x22	27x19	22x17
190	F12(36x36)	36x27	36x22	36x19
210	F12(36x36)	36x27	36x22	36x19
240	F16(46x46)	46x36		
270	F16(46x46)	46x36		
300	F16(46x46)	46x36		
350	F16(46x46)	46x36		
400	F25(55x55)	/		

◆ Top Mount Interface



Namur (VDI/VDE 3845) mounting configuration of all types of top mounted accessories.

Size	Height
32	50x30-H26
40	50x30-H26
52	80x30-H26
63	80x30-H26
75	80x30-H26
83	80x30-H26
92	80x30-H26
105	80x30-H26
125	80x30-H36
140	130x30-H36
160	130x30-H38
190	130x30-H38
210	130x30-H38
240	130x30-H38
270	130x30-H38
300	130x30-H38
350	130x30-H38
400	130x30-H38



博雷(天津)控制系统制造有限公司
BOLLEY(TIANJIN) CONTROL SYSTEM MANUFACTURING CO.,LTD.

地址(Add) : 天津市东丽区跃进路1199号

电话(Tel) : 022-27575088

传真(Fax) : 022-87880319

Http : //www.bolley.cn

E-mail : cn@bolley.cn